

CROWD CONTROL BARRICADE

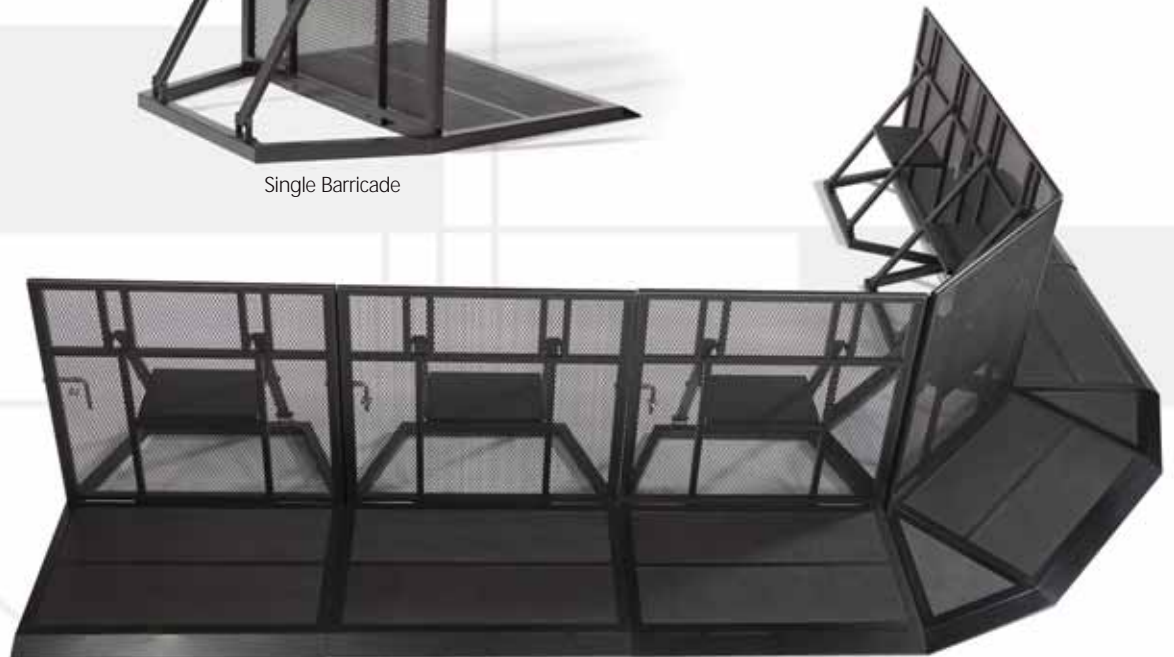
Staging Concepts' Heavy-Duty Crowd Control Barricade is manufactured to withstand the most demanding crowds at any venue. These lightweight, steel-constructed barricade sections only require two people for setup and takedown. In addition, each section is equipped with the most effective – and yet the most simple – locking mechanism on the market so that barricade walls of all sizes take only minutes to assemble. Each section can be folded compactly to fit almost any storage space. Staging Concepts' modular crowd control barricade is sure to complement any performance.



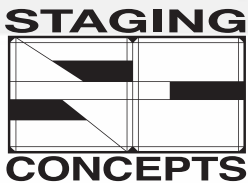
Crowd Control Barricades



Single Barricade



Top View of Barricades



CROWD CONTROL BARRICADE

ADVANTAGES

Safety

- Integral step on barricade for security personnel to stand on and control the crowd
- Barricades lock together side-by-side to prevent crowd from breaking barricade wall
- Powder coat finish on barricade to prevent rust

Efficiency

- Set up barricade wall in minutes with only two people
- Folds down into storage position with one quick motion
- Storage carts are available; each holds up to 10 barricades

TECHNICAL SPECIFICATIONS

Staging Concepts' Heavy-Duty Crowd Control Barricade complies with the following:

- Material: Steel tubing and steel plate with steel mesh face panels
- Finish: Black powder coat

DIMENSIONS, WEIGHTS, AND FINISH OPTIONS

Set Up

Description	Weight (lbs/kg)
4' L x 4' W' x 4' H (1.22m x 1.22m x 1.22m)	140/63.5

Folded Down

Description	Weight (lbs/kg)
4' L x 4' W x 4" H (1.22m x 1.22m x 102mm)	140/63.5

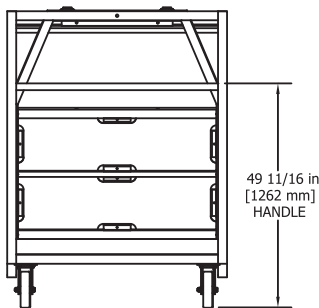
***Inside corner pieces and outside corner pieces available*

Finish:

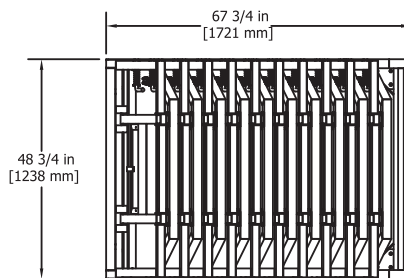
1. Black powder coat

BARRICADE CART SCHEMATICS

End View



Top View



Side View

